

□ **GLL-720CJP**

□ **GLL-720BNJP**

gemline

Single Handle Shower Only Trim Kit

Product Spec Sheet



FEATURES & BENEFITS

- Metal Lever Handle
- Metal Shower Arm And Shower Flange
- With Single Function Shower Head
- Max Flow Rate 1.8 GPM (6.8L/Min) At 80 PSI (ASME A112.18.1/A112.18.1)

GLL-720CJP
Chrome Finish

GLL-720BNJP
Brushed Nickel Finish

Approvals:

Meets or Exceeds The Following:

- * ANSI/ASME A112.18.1/A112.18.1
- * IAPMO/cUPC
- * ADA Compliant
- * EPA WaterSense



TEL: 888-649-0605

FAX: 877-892-1950

Visit Our Web Site : www.gemlinefaucets.com

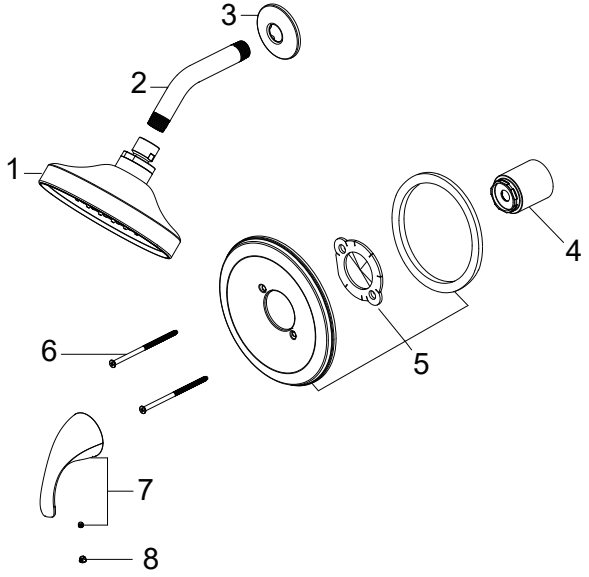
□ **GLL-720CJP**

□ **GLL-720BNJP**

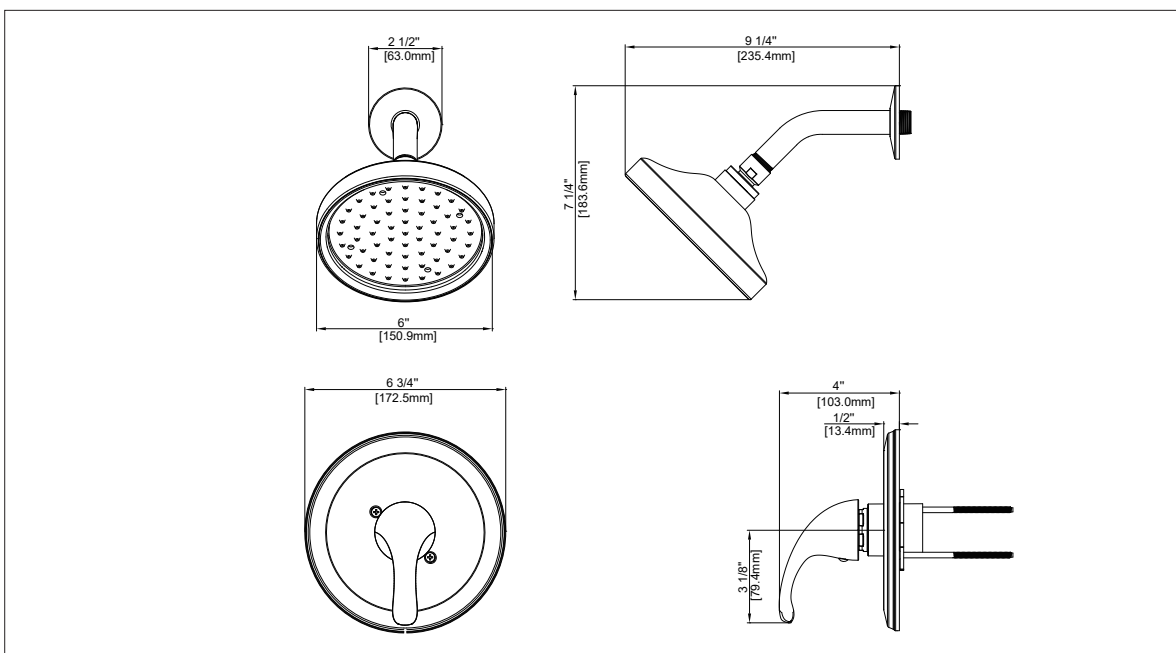
gemline

Single Handle Shower Only Trim Kit

| No. | Name | Part No. |
|-----|--|----------|
| 1 | Shower head / Cabezal de la ducha | RP38513* |
| 2 | Shower arm / Brazo de la ducha | RP38408* |
| 3 | Shower flange / Brida de la ducha | RP38046* |
| 4 | Sleeve / Funda | RP80624* |
| 5 | Escutcheon / Placa protectora | RP80610* |
| 6 | Escutcheon screw / Tornillo de la placa protectora | RP50190* |
| 7 | Handle / Llave | RP13763* |
| 8 | Index / Índice | RP10042 |



* Specify Finish
* Especifique el Acabado



Product Spec Sheet

TEL: 888-649-0605 FAX: 877-892-1950

Visit Our Web Site : www.gemlinefaucets.com